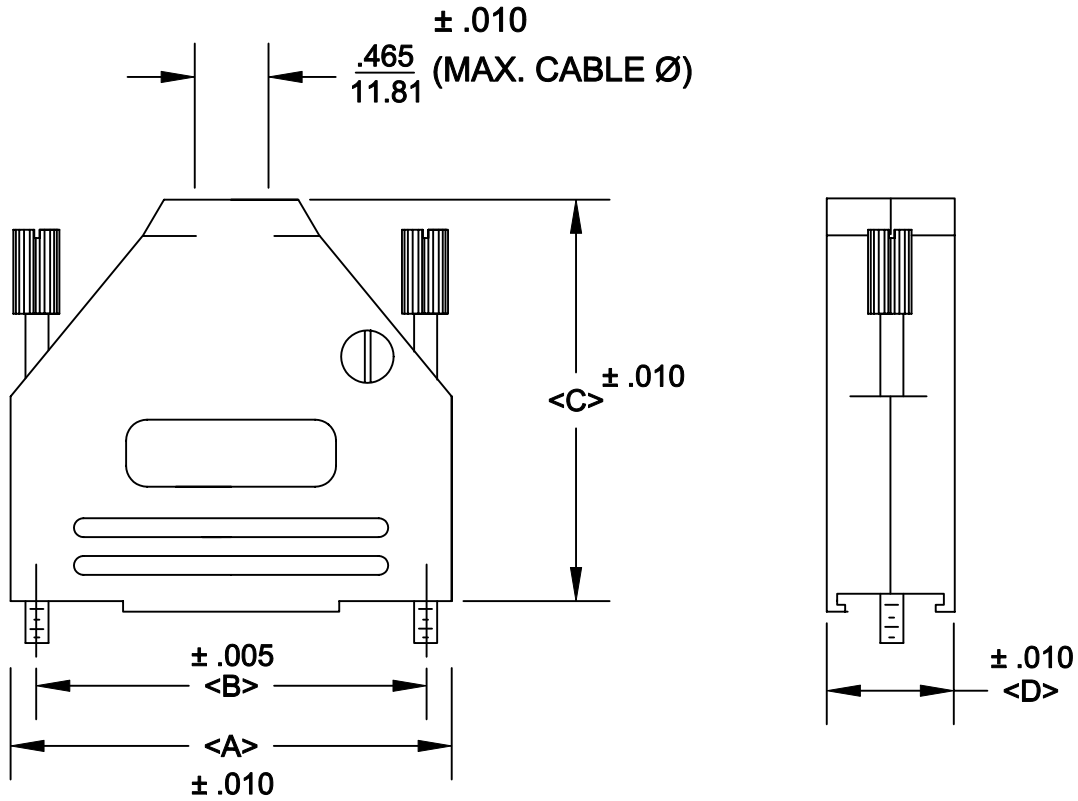


DESCRIPTION: 970 SERIES D-SUB BACKSHELL

- BACKSHELL KIT INCLUDES:**
- (2) BACKSHELL HALVES
 - (2) 4-40 THUMBSCREWS
 - (2) HOUSING SCREWS
 - (1) SET OF COMPRESSION INSERTS-VARIOUS SIZES
 - (1) COMPRESSION SPRING (DIE CAST, ZINC OR METALLIZED PLASTIC)

970-XXX-040R011


SERIES _____
 POSITIONS _____
 009
 015
 025
 037
 MATERIAL _____
 040 = ZINC
 COLOR: _____
 01 = BLACK
 PUT-UPS _____
 1 = KIT



POS.	A	B	C	D
9	1.228	.984	1.571	.590
	31.19	24.99	39.90	14.99
15	1.555	1.312	1.634	.590
	39.50	33.32	41.50	14.99
25	2.102	1.852	1.913	.590
	53.39	47.04	48.59	14.99
37	2.744	2.500	2.110	.590
	69.70	63.50	53.59	14.99

MATERIAL: DIE-CAST ZINC ALLOY
PLATING: BLACK OVER COPPER
JACKSCREWS: STEEL - BLACK
M3 HOODSCREWS: STEEL - BLACK
COMPRESSION INSERT: ABS UL 94V-O
M3 NUT: STEEL - BLACK
OPERATING TEMP: -30°C TO +90°C

RoHS COMPLIANT

	THESE DRAWINGS AND SPECIFICATIONS ARE THE PROPERTY OF NorComp AND SHALL NOT BE REPRODUCED, COPIED OR USED AS THE BASIS FOR THE MANUFACTURE OR SALE OF APPARATUS WITHOUT WRITTEN PERMISSION.		DRAWN: PAM JENKINS	DATE: 6-10-05
				CHECKED:
NorComp		SCALE	SHEET 1 OF 1	REV 3
		DWG NO. 970-YYY-040R011		